

OWAL HORN LOUDSPEAKER HUSAR GTZ20 TYP BM



PRODUCT GROUP

HUSAR PA

PRODUCTS IN SERIES

HUSAR GTZ20 TYP BM



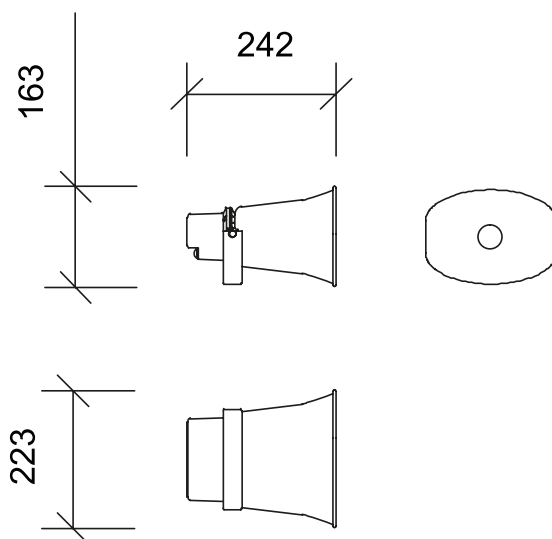
Scan for more detailed information
about the met standards
and testing of this product

- ✓ Dedicated for platforms and external parts of the station
- ✓ Installation with optional pole clamp or directly to the building facade
- ✓ 4 power taps – easy power selection without opening the housing
- ✓ High SPL and directionality
- ✓ Weatherproof - IP 66
- ✓ Full compliance with present Polish Railways standard (PKP PLK S.A. approval)

HUSAR GTZ20 Type Bm outdoor oval horn loudspeaker is dedicated for both indoor and outdoor installation, wherever the highest sound efficiency is needed, while maintaining directionality. It is perfect for outdoor mounting, due to its resistance to weather conditions. It is installed with a support of a dedicated pole clamp (additional accessory) or to the building facade. The speaker, made in 100 V technology, has a nominal power of 20 W and an additional 3 power taps, with a handy adjuster on the rear housing of the speaker. The speaker is part of the HUSAR PA product group and works perfectly with the HUSAR WZM series power amplifiers.



TECHNICAL DATA OF OWAL HORN LOUDSPEAKER HUSAR GTZ20 TYP BM



Technical parameters	
Rated power	20W
Transformer type and tapings	100V 20/15/10/5 W
Frequency response (-10 dB)	250-7000 Hz
SPL 1W/1m	106 Db
SPL Pmax/1 m	117 dB
Dispersion -6 dB, 1000 Hz	W 70° H: 100°
Connection	power control on the rear of the loudspeaker
Dimensions	Ø223x242 mm
Weight	1,33kg
Temperatures range	-25° C to +70° C
Housing and bracket	ABS housing, metal bracket
Color	white
IP rate	IP 66
VPE	12

This data sheet is commercial in nature. If more detailed technical information is required, the reference document is the technical and operating documentation to be obtained from the manufacturer. In addition, the manufacturer reserves the right to make changes regarding the parameters, specifications and characteristics of the product. The dimensions of optional products, manufactured to order, will have different dimensions than those shown in this sheet. The document of general terms and conditions of supply can be found on the manufacturer's website - www.railway-systems.eu