

# INFORMATION HANGING DISPLAY WITH A CLOCK HUSAR INF WOP



**PRODUCT GROUP**  
HUSAR SCREEN

**PRODUCTS IN SERIES**  
HUSAR INF WOP W; HUSAR INF WOP WE



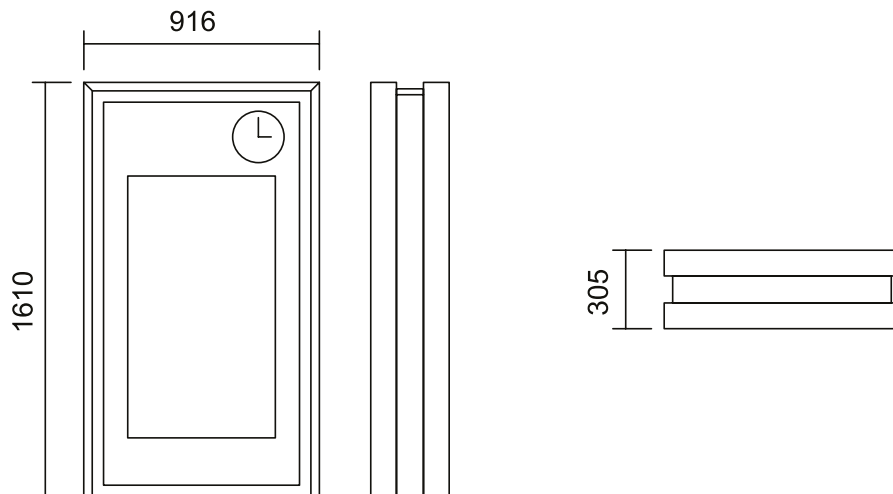
Scan for more detailed information  
about the met standards  
and testing of this product

- LCD panels or LED panels optionally (E version)
- 46" matrix – other sizes on request available
- Over 80,000 hours lifetime
- Protection rate IP-65 and IK 09
- Wide operating temperature range: -40 C +60 C
- Built-in brightness level control sensors; anti-reflective filter
- Built-in analog clock with backlit dial
- Sensors for housing opening, glass breakage, temperature and humidity
- Heating and cooling system
- Full compliance with present Polish Railways standard (PKP PLK S.A. approval)

**Hanging Information Displays HUSAR INF WOP**, are used to display all necessary information about the current train schedule at a given station (presentation of the 20 nearest departures-arrivals). They are adapted for cooperation with dynamic passenger information systems. Hanging information displays are used for both indoor and outdoor installation, on the facades of station buildings and on platforms. They provide uninterrupted operation 7 days a week for 24 hours, while maintaining the full HD standard. There is version available without a built in clock as well.



# TECHNICAL DATA OF INFORMATION HANGING DISPLAY WITH A CLOCK **HUSAR INF WOP**



Technical data	
Matrix	3-9xLCD-46' (LED matrix as an option*)
Active screen surface	1018,08 mm x 572,67 mm
Resolution	1920x1080
Contrast	5000:1
Luminance	LCD 4000 cd/m <sup>2</sup> - LED 5000 cd/m <sup>2</sup> (set remotely or automatically on the basis of the external light sensor reading)
Viewing angle	178°/178°
Minimum lifetime	80 000 h
Supply voltage	100 - 230VAC (±10%) 50-60Hz ±1%
Power consumption	250W/650W
Protections	Residual current; overcurrent; overvoltage
Sensors built in	Internal temperature and humidity, case opening, shock, light sensor, glass breakage
Drivers/controllers	backlighting, sensors, heating system, cooling system, for the analysis and execution of CSDIP commands, equipped with a hardware and software watchdog
Protocols	TCP/IP; SNMP V1, V2 i V3; UDP; NTP
Clock	Analogue, circular, dial diameter 200mm, displayed in the board header, with adjustable dial illumination
Temperature operation rate	-40°C do +60°C
Dimensions	1610mm x 916mm x 305mm
Weight	350-700 kg
Enclosure	Made of corrosion-resistant material, painted in RAL 5022 (any RAL colour available on request)
IP rate IK rate	IP-65 (PN-EN 60529:2003) IK-09 (PN-EN 5012:2001)

*This data sheet is commercial in nature. If more detailed technical information is required, the reference document is the technical and operating documentation to be obtained from the manufacturer. In addition, the manufacturer reserves the right to make changes regarding the parameters, specifications and characteristics of the product. The dimensions of optional products, manufactured to order, will have different dimensions than those shown in this sheet. The document of general terms and conditions of supply can be found on the manufacturer's website - [www.railway-systems.eu](http://www.railway-systems.eu)*