

INFORMATION STANDING DISPLAY WITH CLOCK **HUSAR INF WOP**



PRODUCT GROUP HUSAR SCREEN

PRODUCTS IN SERIES HUSAR INF WOP S ; HUSAR INF WOP SE; HUSAR INF WOP 2S ; HUSAR INF WOP 2SE;



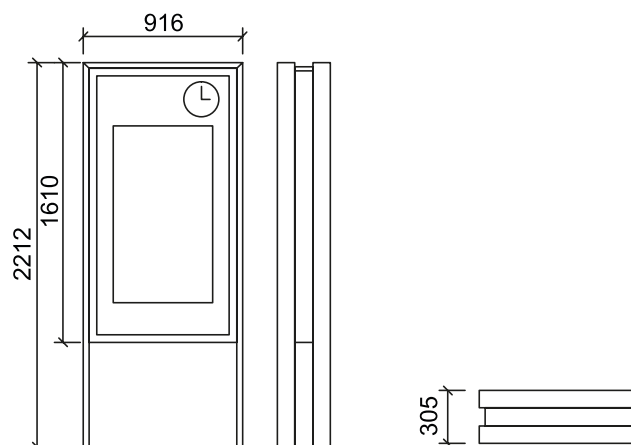
Scan for more detailed information
about the met standards
and testing of this product

- ✓ LCD panels or LED panels optionally (E version)
- ✓ 46" matrix – other sizes on request available
- ✓ 2 sided version available on request
- ✓ Over 80,000 hours lifetime
- ✓ Protection rate IP-65 and IK 09
- ✓ Wide operating temperature range: -40 C +60 C;
- ✓ Built-in brightness level control sensors
anti-reflective filter
- ✓ Sensors for housing opening, glass breakage,
temperature and humidity
- ✓ Built-in analog clock with backlit dial
- ✓ Heating and cooling system
- ✓ Full compliance with present Polish Railways
standard (PKP PLK S.A. approval)

Standing Information Displays HUSAR INF WOP, are used to display all necessary information about the current train schedule at a given station (presentation of the 20 nearest departures-arrivals). They are adapted for cooperation with dynamic passenger information systems. Standing information displays are used for both indoor and outdoor installation, in station buildings and on platforms. They provide uninterrupted operation 7 days a week for 24 hours, while maintaining the full HD standard. They are also produced in double-sided version, while maintaining the same dimensions of the housing. Version without analogue clock may be delivered as well.



TECHNICAL DATA OF INFORMATION STANDING DISPLAY WITH CLOCK **HUSAR INF WOP**



	Technical data
Matrix	LCD - 46" (LED matrix as an option *)
Active screen surface	1018,08 mm x 572,67 mm
Resolution	1920x1080
Contrast	5000:1
Luminance	LCD 4000 cd/m ² - LED 5000 cd/m ² (set remotely or automatically on the basis of the external light sensor reading)
Viewing angle	178°/178°
Minimum lifetime	80 000 h
Supply voltage	100 - 230VAC (±10%) 50-60Hz ±1%
Power consumption	250W/650W
Protections	differential current protection; overcurrent; overvoltage
Sensors built in	Temperature sensor, humidity sensor, housing opening sensor, shock sensor, light sensor, glass breakage sensor;
Drivers/controllers	backlighting, sensors, heating/cooling system, for analysis and command execution CSDIP , equipped with a hardware and software watchdog
Protocols	TCP/IP; SNMP V1, V2 i V3; UDP; NTP
Clock	Analogue, circular, diameter 200mm, displayed in the board header, adjustable dial illumination
Temperature operation rate	-40°C do +60°C
Dimensions	1610mm x 916mm x 305mm
Weight	110kg without fixing bracket
Enclosure	Made of corrosion-resistant material, painted in RAL 5022 (any RAL colour available on request)
IP rate IK rate	IP-65 (PN-EN 60529:2003) IK-09 (PN-EN 5012:2001)

*When an optional LED matrix is ordered, the parameters for the matrix itself and power consumption will be different.

This data sheet is commercial in nature. If more detailed technical information is required, the reference document is the technical and operating documentation to be obtained from the manufacturer. In addition, the manufacturer reserves the right to make changes regarding the parameters, specifications and characteristics of the product. The dimensions of optional products, manufactured to order, will have different dimensions than those shown in this sheet. The document of general terms and conditions of supply can be found on the manufacturer's website - www.railway-systems.eu